

CPS 140KHZ F400 PICKUP

HIGHLIGHTS

- Compact design
- Low height: Only 41 mm
- 4 kW peak power
- Pickup for RE400 (HV with 560 VDC)
- IP54 protection class
- Internal strain relief
- Different cable lengths available (1 m, 2 m, 4 m, 6 m)
- Large positioning tolerance

TECHNICAL DATA SHEET

F400 PICKUP

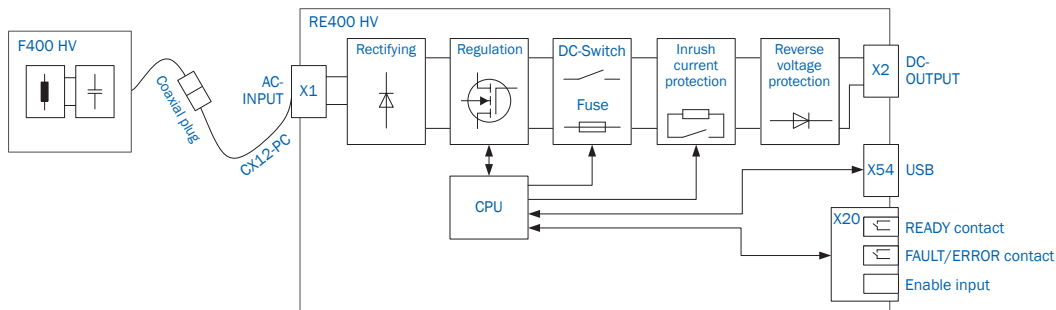
ELECTRICAL DATA

- Peak power 4 kW
- Nominal power 1.2 kW
- Duty cycle (HV) 30%
- Track current 45 A
- Track frequency 140 kHz

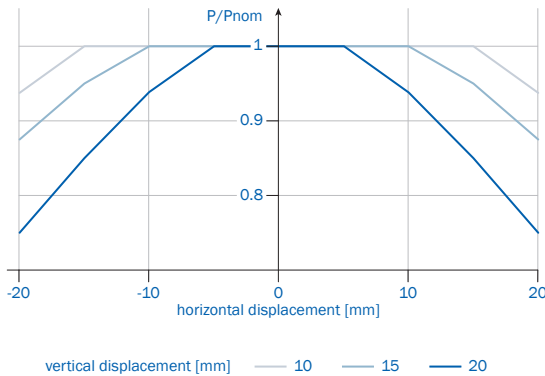
MECHANICAL DATA

- Dimensions 415x255x41 mm
- Mounting points 385x225 mm
- Weight 9.5 kg
- Track conductor spacing 110 mm
- Nominal airgap <=20 mm peak performance >20 mm power reduction
- Positioning tolerance see performance diagram
- Protection rating IP54
- Ambient temperature 0 to +40°C non-condensing
- Environment Industrial
- Cooling Convection

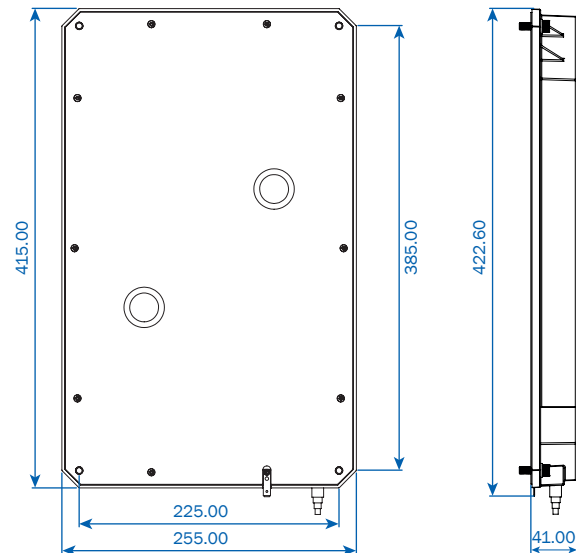
SYSTEM OVERVIEW



PERFORMANCE DIAGRAM HV



MOUNTING OVERVIEW



BESTELLINFORMATIONEN

F400 Pickup HV	10033340
RE400 Regulator 560V	10033339
Connection cable 1m	10018432

Connection cable 2m	10018433
Connection cable 4m	10018434
Connection cable 6m	10018435

