



# CPS 140KHZ RE400 REGULATOR

## HIGHLIGHTS

- Real time system monitoring
- System recording via service tool
- Inrush current protection
- Reverse voltage protection
- Switchable output voltage
- External operation release
- Pickup temperature monitoring
- Output can be switched in parallel

# TECHNICAL DATA SHEET

## RE400 REGULATOR

### ELECTRICAL DATA

- Peak power 4 kW
- Nominal power 1,6 kW
- Duty cycle (HV/MV) 40%/20%
- Track frequency 140 kHz
- Output voltage (HV/MV) 560/283 VDC
- Output current (HV/MV) 8/16 A

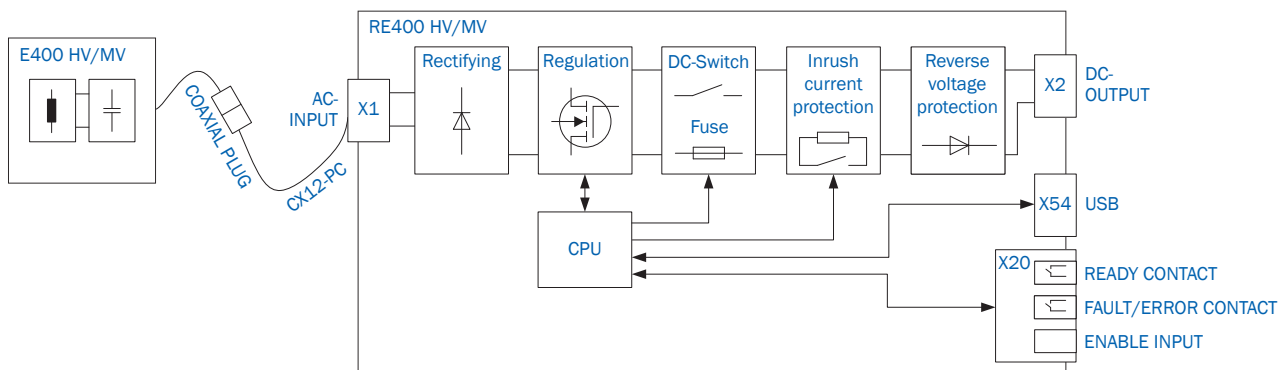
### MECHANICAL DATA

- Dimensions 245 x 156 x 90 mm (without plugs)
- Mounting holes 235.25 x 99 mm
- Weight 1.6 kg
- Protection rating IP20
- Ambient temperature 0 to +40°C non-condensing
- Environment Industrial
- Cooling Fan

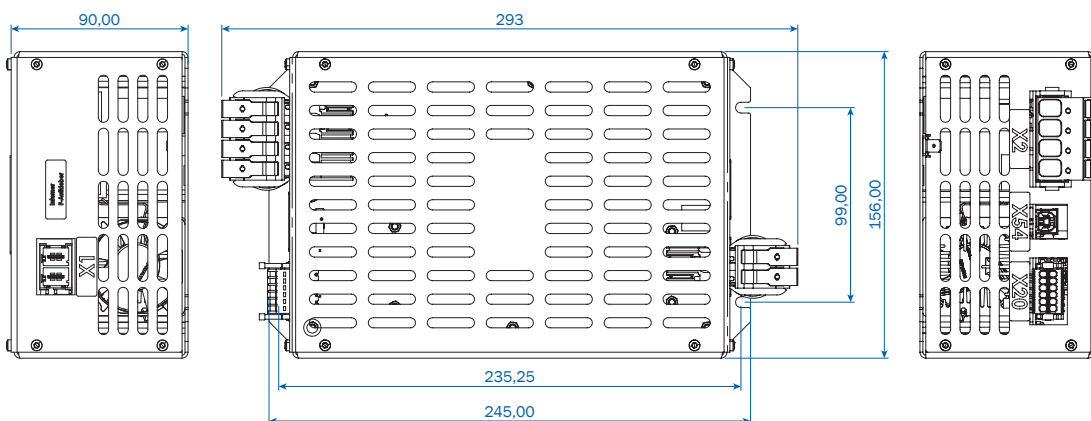
### PICKUP CONNECTION CABLE

- Length factory installed 0.5 m
- Length of connection cables 0.5/1.5/3.5/5.5 m
- Outer diameter 11 mm
- Connections pre assembled
- Min. bending radius 50 mm

### SYSTEM OVERVIEW



### MOUNTING OVERVIEW



### ORDERING INFORMATION

- |                        |                   |
|------------------------|-------------------|
| RE400 Regulator HV/MV  | 10023622/10023602 |
| Connection cable 0.5 m | 10023617          |
| Connection cable 1.5 m | 10023618          |
| Connection cable 3.5 m | 10023619          |
| Connection cable 5.5 m | 10023620          |

