

CPS 140KHZ U015 PICKUP

HIGHLIGHTS

- Compact size
- Lightweight: Only 650 g
- 150W peak power
- Output voltage: 24VDC
- IP65
- Halogen/silicon free
- Internal strain relief
- 1m pre assembled cable
- Acceleration up to 5 m/s²
- Plug and Play installation

U015 PICKUP

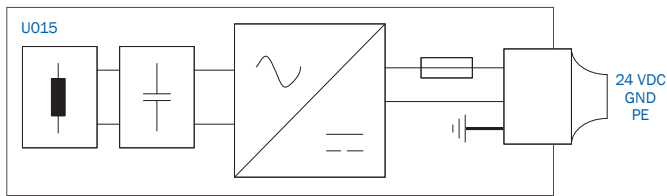
ELECTRICAL DATA

• Peak power	150W
• Nominal power	100W
• Duty cycle	70%
• Track current	45A
• Track frequency	140 kHz
• Track conductor spacing	61 mm
• Output voltage	24VDC
• Output current	6.5 A
• Protection	Polyfuse

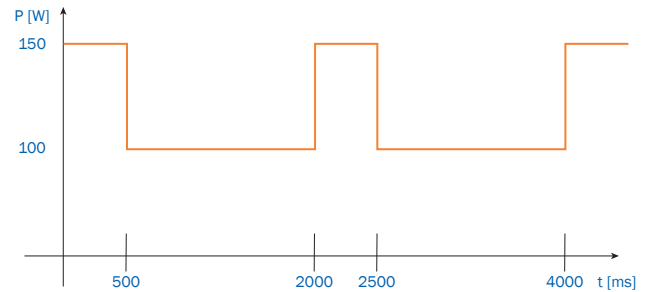
MECHANICAL DATA

• Dimensions	67.4x67.4x71.0 mm
• Mounting holes	48x48 mm
• Weight	650 g
• Nominal airgap	4 mm
• Vertical tolerance	±1 mm
• Horizontal tolerance	±1 mm
• Protection rating	IP65
• Connection cable	1 m pre assembled
• Ambient temperature	5 to +40°C non-condensing
• Environment	Industrial/ clean room
• Cooling	Convection

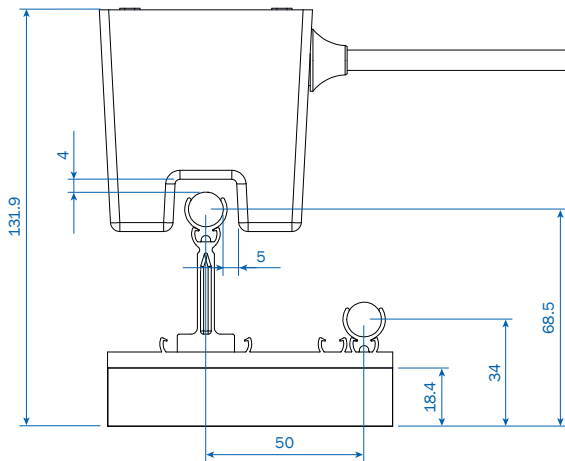
SYSTEM OVERVIEW



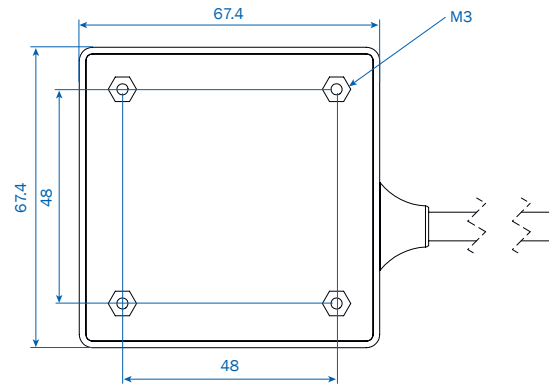
OUTPUT POWER



MOUNTING OVERVIEW



TOP VIEW



ORDERING INFORMATION

U015 Pickup	10022728	Spacer for feeding left	10001430
Spacer for compact hanger	10022382	Spacer for feeding right	10001426
Compact hanger	0915206/00	Feeding active conductor	0915295/00
Spacer for cable clip	0915179/00	Feeding passive conductor	0915296/00
Cable clip 2 m	0915298/00		
Cable clip 20 mm	10024680		