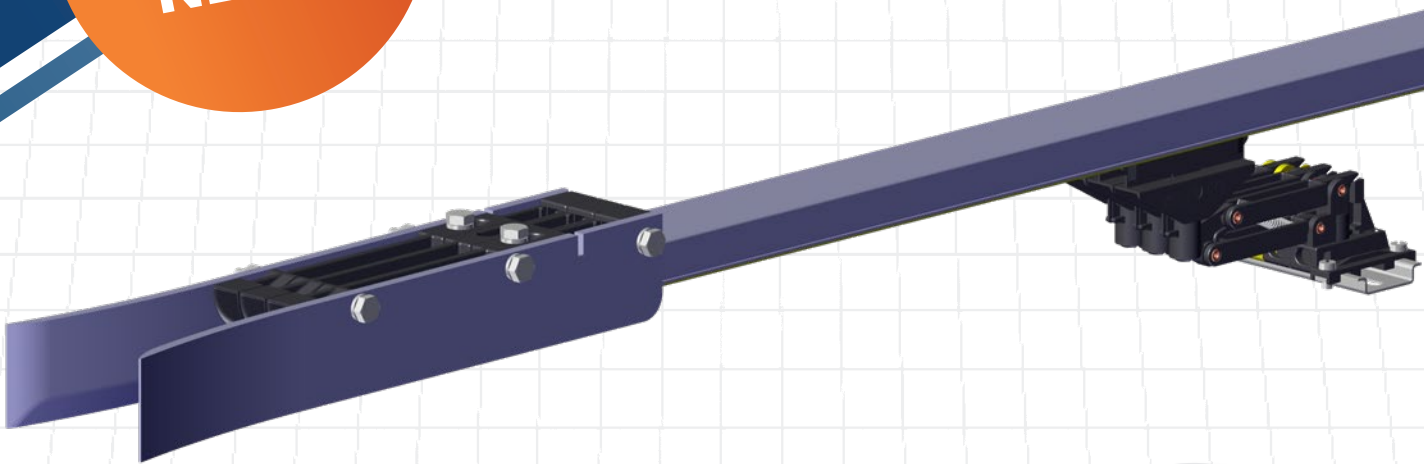


**PRODUCT  
NEWS**



## VCL 2 | VCL 3 Modular High-Speed Funnel and Current Collector

### HIGHLIGHTS

- Expands the VCL 2 and VCL 3 for funnel operations and high entry speeds
- The solution for multiple use:
  - Multi-Shuttle with lane & level change
  - High-Speed Vertical-Sorter (Loop-Sorter)
  - All kinds of Contact-Sections & Opportunity-Charging
  - Micro-Fulfillment- and Vertical Farming Logistics
- Driving und entry/exit speeds up to 4 m/s
- Compact dimensions:
  - Fits in any installation space
  - For mounting directly on the shuttle track profile
- Large offset tolerances up to  $\pm 5$  mm in all directions



## VCL 2 | VCL 3

# MODULAR HIGH-SPEED FUNNEL & CURRENT COLLECTOR

### SYSTEM INFORMATION

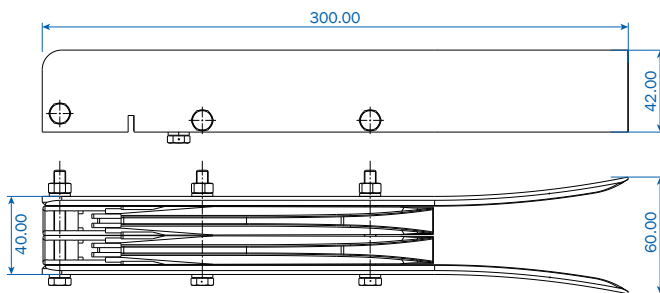
- For all versions of the VCL 2 and VCL 3
- Consists of High-Speed Funnel & corresponding PASK Collector with stroke limitation
- Factory preassembled funnel module on 1 m VCL section

### TECHNICAL DATA

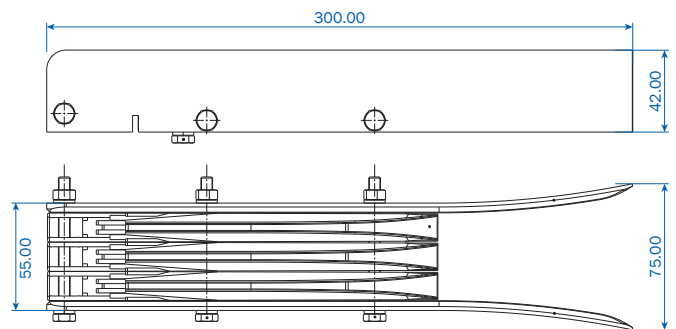
- |                                |   |
|--------------------------------|---|
| • Funnel type specification    | HSF-VCL...                                |
| • Collector type specification | SA-PASK-50...HSF                          |
| • Travel speed                 | Up to 240m/min (4 m/s)                    |
| • Installation dimension       | 75 mm                                     |
| • Possible entry tolerances    | ± 5 mm to all directions                  |
| • Travel direction             | Standard und reverse operation            |
| • Max. current per collector   | 50A / Connection cable: 6 mm <sup>2</sup> |

### MOUNTING OVERVIEW

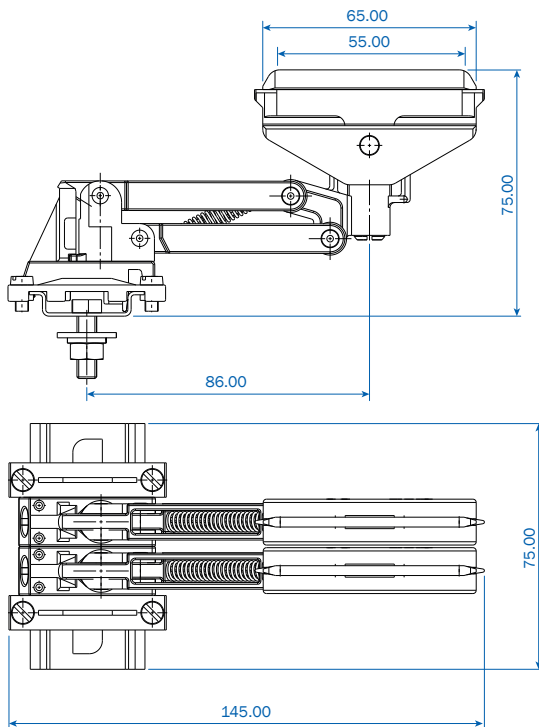
Modular funnel HSF for VCL 2



Modular funnel HSF for VCL 3



HS-Collector PASK... HSF for VCL 2



HS-Collector PASK... HSF for VCL 3

